

MEMXPRO 2.5" SSD EB31 Series

SLC like, 20K+ P/E cycles



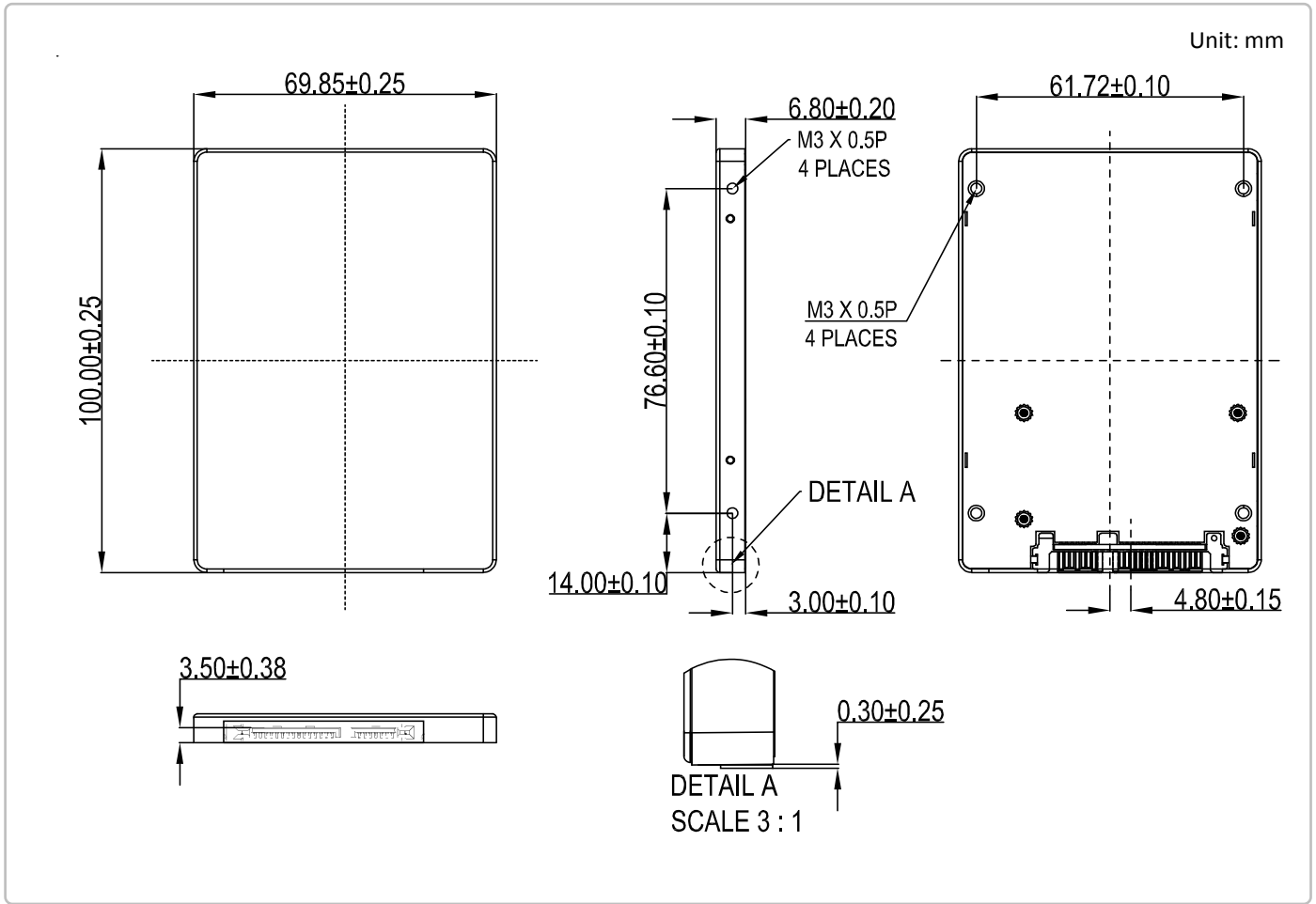
Features

- Industrial SATA III 2.5" SSD
- StrongMLC, DRAM-less, up to 128GB capacity
- Commercial/extended/wide temp. solutions
- Built-in ECC and OCP/OVP
- NCQ/TRIM/SMART support
- mSMART storage device monitoring

Specification

Product Model	2.5" SSD EB31
Interface	SATA III
Form Factor	2.5" SSD (SFF-8201)
Flash Type	StrongMLC
Max. Channel	4
Density	8GB~128GB
Sequential R/W (MB/sec, max.)	514/421
Operating Temperature	0°C~+70°C/-25°C~+85°C/-40°C~+85°C
Max. Power Consumption	2.75W (5Vx550mA)
Dimension (L x W x H/mm)	100x69.85x6.8
Operating Voltage	5V±5%
Storage Temperature	-55°C~+95°C
External DRAM Buffer	N/A
Thermal Sensor	✓
DEVSLP Mode	<5mW
ATA Security	✓
S.M.A.R.T.	✓
TRIM	✓
Vibration	20G (7~2KHz)
Shock Resistance	1500G@0.5ms
MTBF	>3 million hours

Dimensions



Ordering Information

Capacity	Commercial (0°C~70°C)	Extended (-25°C~+85°C)	Industrial (-40°C~+85°C)
8GB	FES25-08GMBS4X1C1	FES25-08GMBS4X1E1	FES25-08GMBS4X1W1
16GB	FES25-16GMBS4X2C1	FES25-16GMBS4X2E1	FES25-16GMBS4X2W1
32GB	FES25-32GTBS4X2C1	FES25-32GTBS4X2E1	FES25-32GTBS4X2W1
64GB	FES25-64GTBS4X4C1	FES25-64GTBS4X4E1	FES25-64GTBS4X4W1
128GB	FES25-A2GTBS4X4C1	FES25-A2GTBS4X4E1	FES25-A2GTBS4X4W1