

# MEMXPRO 2.5" SSD ET30 Series

10K endurance , budget-friendly

Preliminary v0.5

Industrial 3D TLC  
10K P/E cycle



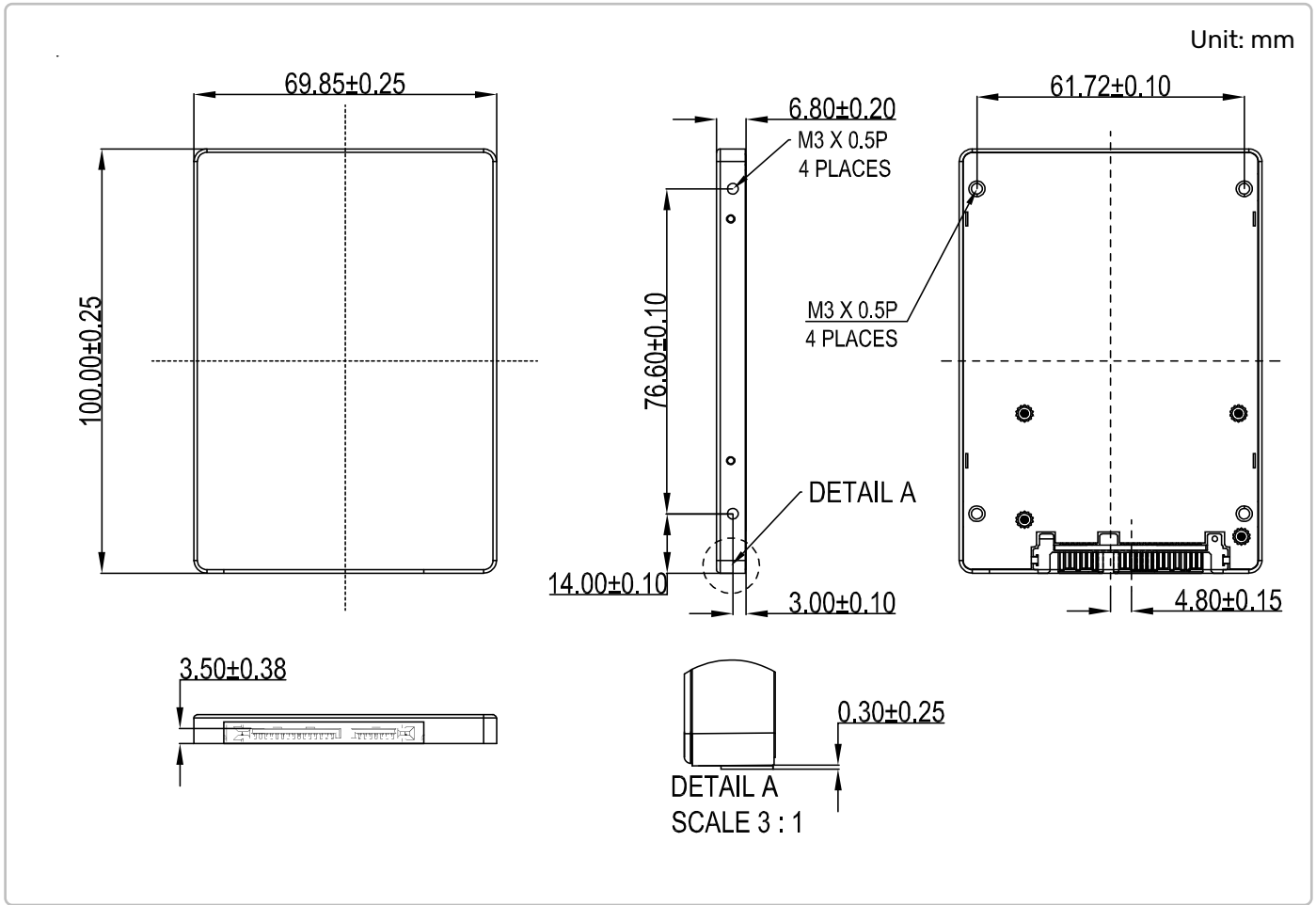
## Features

- Industrial SATA III 2.5" SSD, DRAM-less
- Industrial Micron 3D TLC, up to 10K P/E Cycles
- Read/write speeds of up to 550/510 MB/s
- Up to 1TB capacity
- Support commercial temperature
- Built-in LDPC ECC, RAID engine and OCP/OVP
- mSMART storage device monitoring

## Specification

Product Model	2.5" SSD ET30
Interface	SATA III
Form Factor	2.5" SSD (SFF-8201)
Flash Type	3D TLC (Original Micron B17A)
P/E Cycle	10,000
Max. Channel	4
Density	64GB~1TB
Sequential R/W (MB/sec, max.)	550/510
Operating Temperature	0°C~+70°C
Max. Power Consumption	4W (5V x 800mA)
Dimension (L x W x H/mm)	100x69.85x7
Operating Voltage	5V±5%
Storage Temperature	-55°C~+95°C
Security*	AES 128/256 Encryption Built-in H/W SHA256 and TRNG
External DRAM Buffer	N/A
Thermal Sensor	✓
DEVSLP Mode	✓
Vibration	20G (7~2KHz)
Shock Resistance	1500G@0.5ms
MTBF	>3 million hours

\*: The functions will be activated by specific firmware versions.



## Ordering Information

Capacity	Commercial (0°C~70°C)
64GB	FES25-64GMTS5J1C1
128GB	FES25-A2GMTS5J2C1
256GB	FES25-B5GMTS5J4C1
512GB	FES25-E1GMTS5J4C1
1TB	FES25-010MTS5J4C1