

MEMXPRO 2.5" SSD PB31 Series

High IOPS, 20K+ P/E cycles



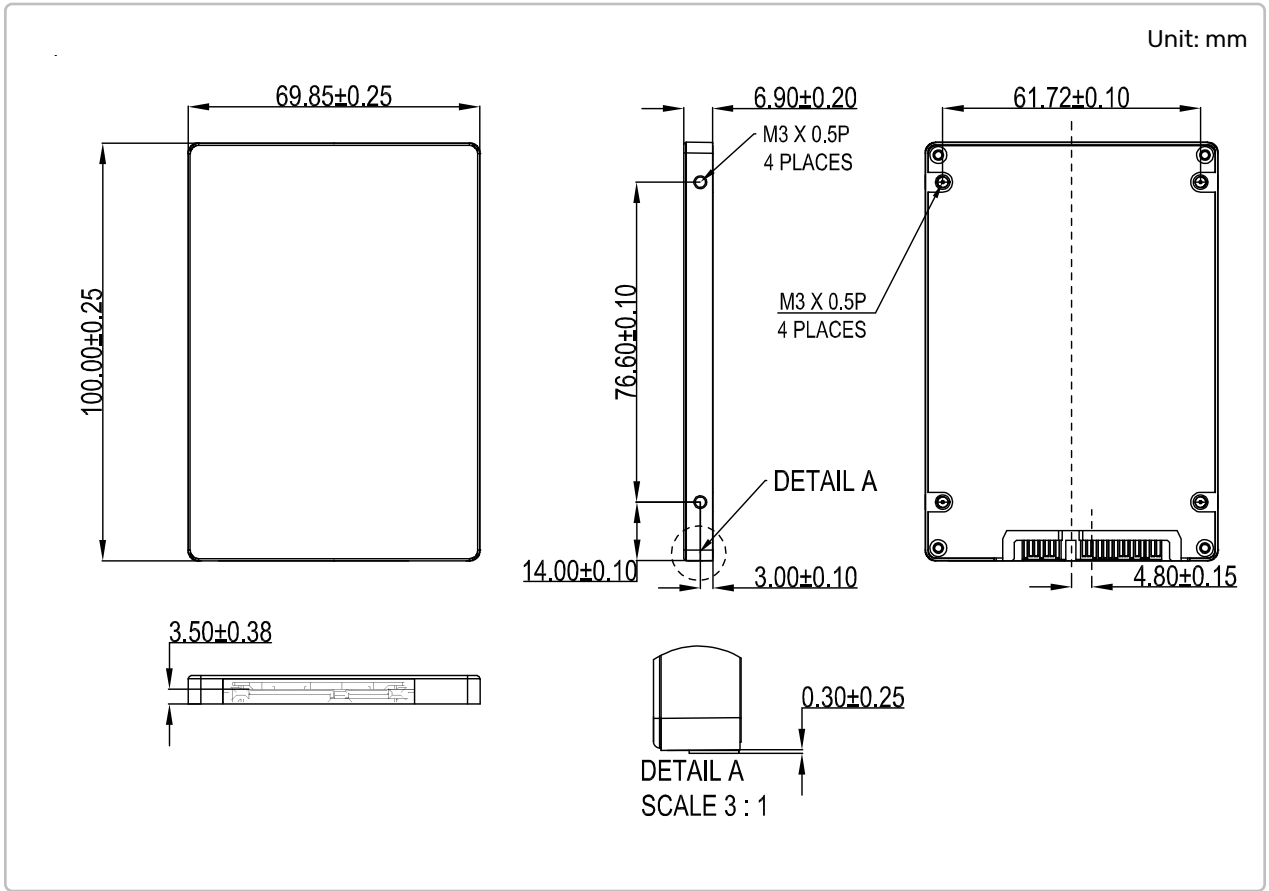
Features

- Industrial SATA III 2.5" SSD
- StrongMLC mode, up to 256GB capacity
- Commercial/extended/wide temp. solutions
- Built-in ECC and OCP/OVP
- NCQ/TRIM/SMART support
- mSMART storage device monitoring

Specification

Product Model	2.5" SSD PB31
Interface	SATA III
Form Factor	2.5" SSD (SFF-8201)
Flash Type	StrongMLC
Max. Channel	4
Density	32GB~256GB
Sequential R/W (MB/sec, max.)	552/439
Operating Temperature	0°C~+70°C/-25°C~+85°C/-40°C~+85°C
Max. Power Consumption	6W (5Vx1.2A)
Dimension (L x W x H/mm)	100x69.85x6.9
Operating Voltage	5V±5%
Storage Temperature	-55°C~+95°C
External DRAM Buffer	✓
Thermal Sensor	✓
DEVSLP Mode	<5mW
ATA Security	✓
S.M.A.R.T.	✓
TRIM	✓
Vibration	20G (7~2KHz)
Shock Resistance	1500G@0.5ms
MTBF	>3 million hours

Dimensions



Ordering Information

Capacity	Commercial (0°C~70°C)	Extended (-25°C~+85°C)	Industrial (-40°C~+85°C)
32GB	FPS25-32GTBS461C2	FPS25-32GTBS461E2	FPS25-32GTBS461W2
64GB	FPS25-64GTBS464C2	FPS25-64GTBS464E2	FPS25-64GTBS464W2
128GB	FPS25-A2GTBS464C2	FPS25-A2GTBS464E2	FPS25-A2GTBS464W2
256GB	FPS25-B5GTBS464C2	FPS25-B5GTBS464E2	FPS25-B5GTBS464W2