

MEMXPRO 2.5" SSD PT30 Series

10K endurance , performance enhanced

Preliminary v0.5

Industrial 3D TLC
10K P/E cycle



Features

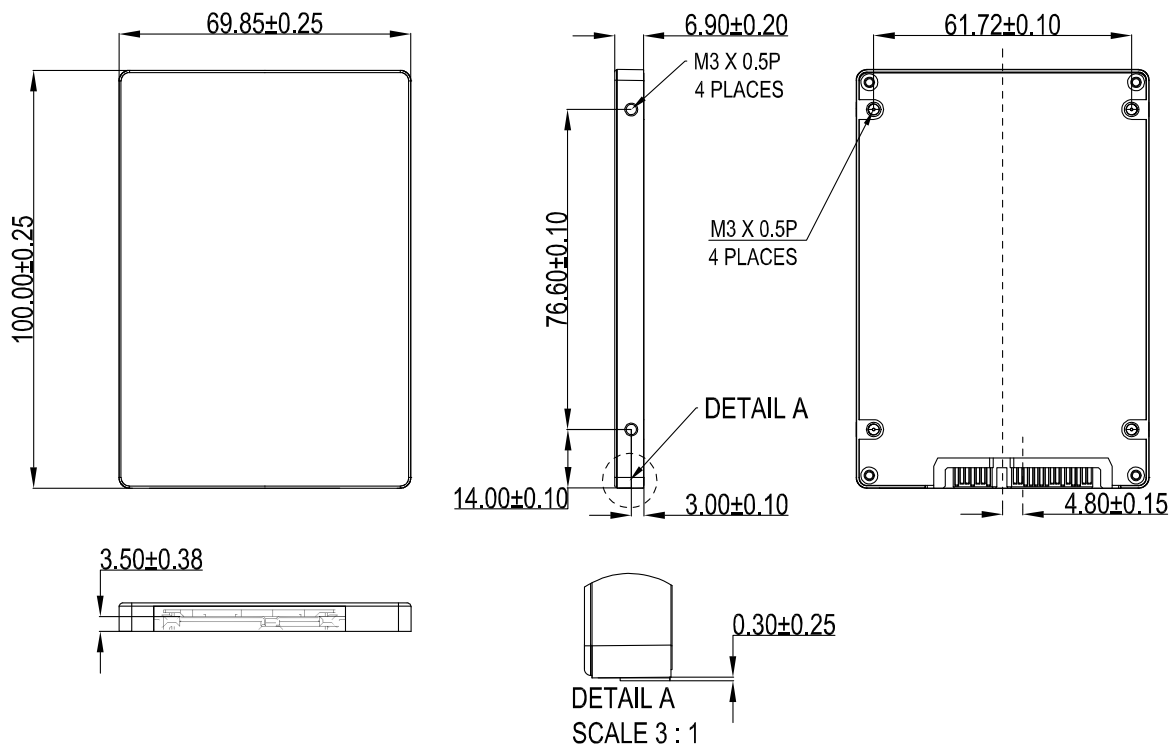
- Industrial SATA III 2.5" SSD, DRAM inside
- Industrial Micron 3D TLC, up to 10K P/E Cycles
- Read/write speeds of up to 550/510 MB/s
- Up to 2TB capacity
- Support commercial/extended/wide temp.
- Built-in LDPC ECC, RAID engine and OCP/OVP
- mSMART storage device monitoring

Specification

Product Model	2.5" SSD PT30
Interface	SATA III
Form Factor	2.5" SSD (SFF-8201)
Flash Type	3D TLC (Original Micron B17A)
P/E Cycle	10,000
Max. Channel	4
Density	128GB~2TB
Sequential R/W (MB/sec, max.)	550/510
Operating Temperature	0°C~+70°C/-25°C~+85°C/-40°C~+85°C
Max. Power Consumption	6W (5V x 1200mA)
Dimension (L x W x H/mm)	100x69.85x7
Operating Voltage	5V±5%
Storage Temperature	-55°C~+95°C
Security*	AES 128/256 Encryption TCG Opal 2.0 compliant Built-in H/W SHA256 and TRNG
External DRAM Buffer	✓
Thermal Sensor	✓
DEVSLP Mode	✓
Vibration	20G (7~2KHz)
Shock Resistance	1500G@0.5ms
MTBF	>3 million hours

*: The functions will be activated by specific firmware versions.

Unit: mm



Ordering Information

Capacity	Commercial (0°C~70°C)	Extended (-25°C~+85°C)	Industrial (-40°C~+85°C)
128GB	FPS25-A2GMTS582C1	FPS25-A2GMTS582E1	FPS25-A2GMTS582W1
256GB	FPS25-B5GMTS584C1	FPS25-B5GMTS584E1	FPS25-B5GMTS584W1
512GB	FPS25-E1GMTS584C1	FPS25-E1GMTS584E1	FPS25-E1GMTS584W1
1TB	FPS25-010MTS584C1	FPS25-010MTS584E1	FPS25-010MTS584W1
2TB**	FPS25-020MTS584C1	FPS25-020MTS584E1	FPS25-020MTS584W1

** : 2TB targets Q1 2019 for sample availability.