

MEMXPRO 2.5" SSD RB31 (Power Plus)

Power Plus supported, 20K+ P/E cycles



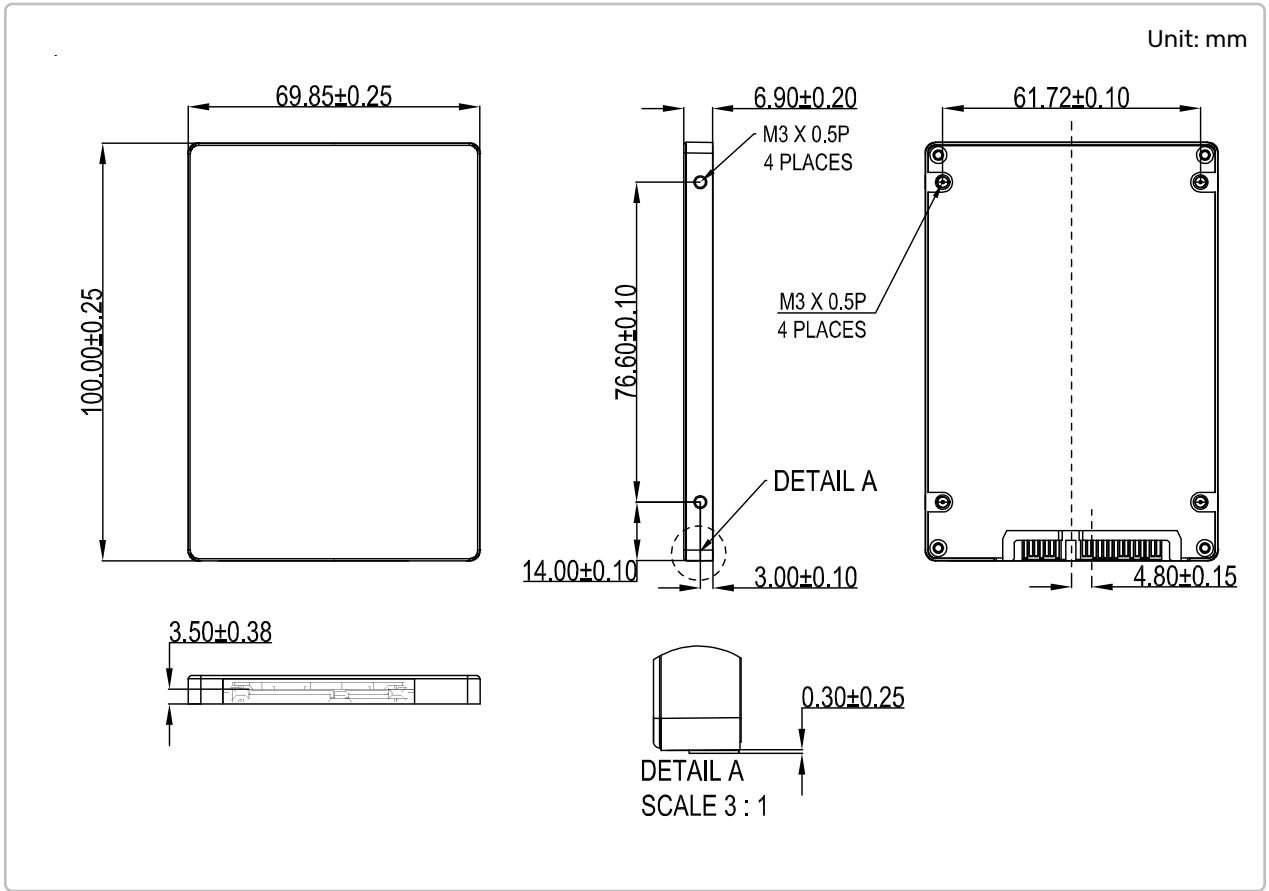
Features

- Industrial SATA III 2.5" SSD
- Power Plus for data protection
- StrongMLC mode , up to 256GB capacity
- Commercial/extended/wide temp. solutions
- Built-in ECC and OCP/OVP
- NCQ/TRIM/SMART support
- mSMART storage device monitoring

Specification

Product Model	2.5" SSD RB31
Interface	SATA III
Form Factor	2.5" SSD (SFF-8201)
Flash Type	StrongMLC
Max. Channel	4
Density	8GB-256GB
Sequential R/W (MB/sec, max.)	552/439
Operating Temperature	0°C~+70°C/-25°C~+85°C/-40°C~+85°C
Max. Power Consumption	6W (5Vx1.2A)
Dimension (L x W x H/mm)	100x69.85x9.3
Operating Voltage	5V±5%
Storage Temperature	-55°C~+95°C
External DRAM Buffer	✓
Thermal Sensor	✓
DEVSLP Mode	N/A
ATA Security	✓
S.M.A.R.T.	✓
TRIM	✓
Vibration	20G (7~2KHz)
Shock Resistance	1500G@0.5ms
MTBF	>3 million hours

Dimensions



Ordering Information

Capacity	Commercial (0°C~70°C)	Extended (-25°C~+85°C)	Industrial (-40°C~+85°C)
8GB	FRS25-08GTBS462C3P	FRS25-08GTBS462E3P	FRS25-08GTBS462W3P
16GB	FRS25-16GTBS464C3P	FRS25-16GTBS464E3P	FRS25-16GTBS464W3P
32GB	FRS25-32GMBS464C3P	FRS25-32GMBS464E3P	FRS25-32GMBS464W3P
64GB	FRS25-64GTBS464C3P	FRS25-64GTBS464E3P	FRS25-64GTBS464W3P
128GB	FRS25-A2GTBS464C3P	FRS25-A2GTBS464E3P	FRS25-A2GTBS464W3P
256GB	FRS25-B5GTBS464C3P	FRS25-B5GTBS464E3P	FRS25-B5GTBS464W3P