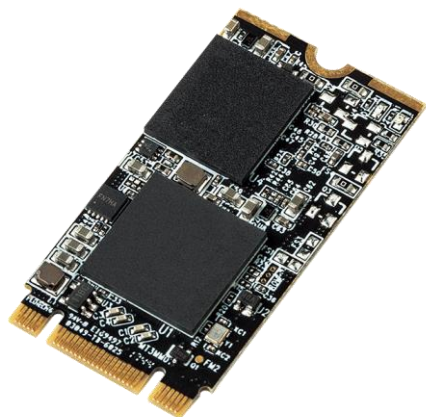


MEMXPRO M.2 2242 SATA E231 Series

High capacity & wide temperature



Features

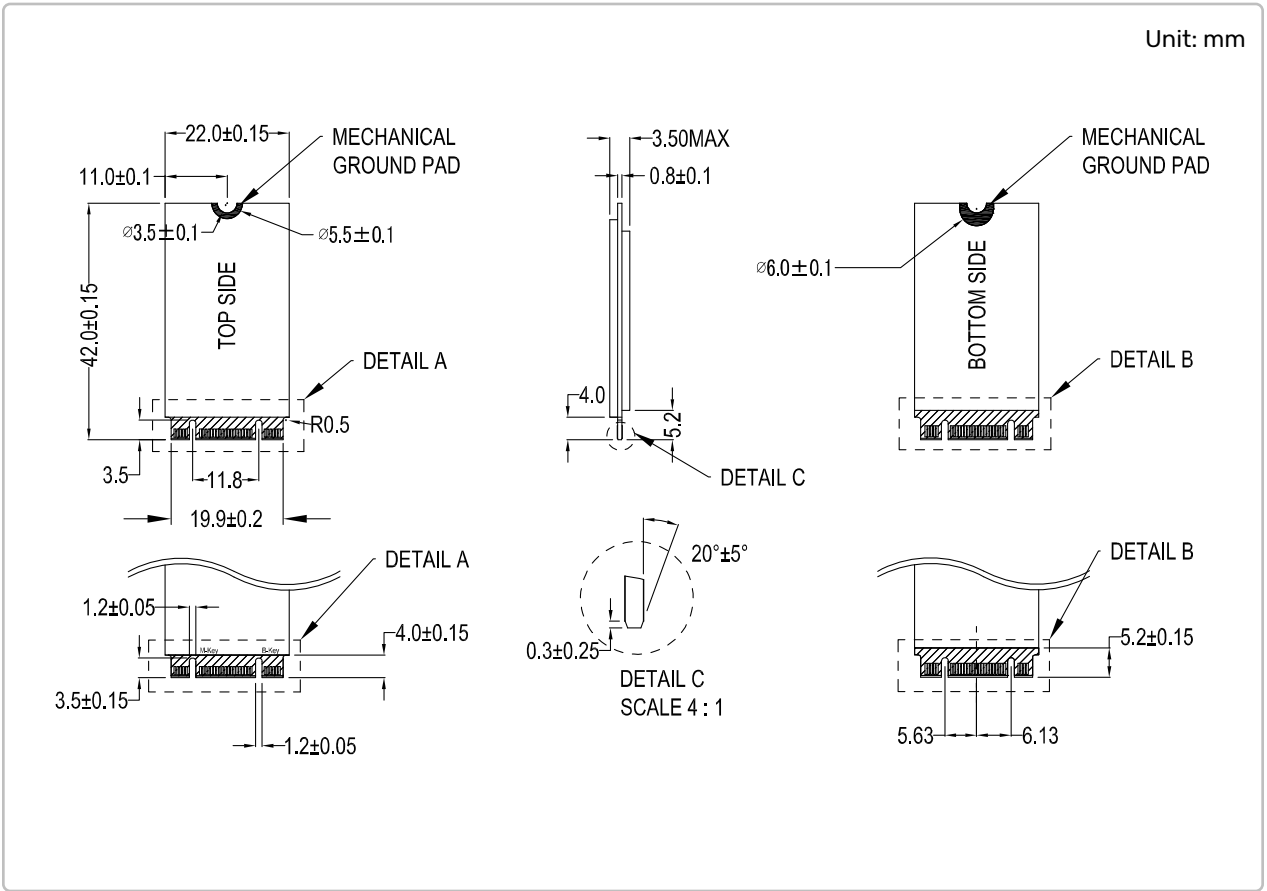
- M.2 (NGFF) standard of 22mm wide, 42mm long
- MLC eMMC , up to 256GB capacity
- Extended/wide temp. solutions
- Built-in ECC and OCP/OVP
- NCQ/TRIM/SMART support
- mSMART storage device monitoring

Specification

Product Model	M.2 2242 SATA E231
Interface	SATA III
Form Factor	M.2 SATA (2242/D2)
Flash Type	MLC eMMC
Max. Channel	2
Density	128GB-256GB
Sequential R/W (MB/sec, max.)	130/132
Operating Temperature	-25°C~+85°C/-40°C~+85°C
Max. Power Consumption	1.98W (3.3Vx600mA)
Dimension (L x W x H/mm)	22x42x3.5
Operating Voltage	3.3V±5%
Storage Temperature	-55°C~+95°C
External DRAM Buffer	N/A
Thermal Sensor	✓
DEVSLP Mode	N/A
ATA Security	✓
S.M.A.R.T.	✓
TRIM	✓
Vibration	20G (7~2K Hz)
Shock Resistance	1500G@0.5ms
MTBF	>3 million hours

Dimensions

Unit: mm



Ordering Information

Capacity	Extended (-25°C~85°C)	Industrial (-40°C~+85°C)
128GB	FE24S-A2GS2M081E1	FE24S-A2GS2M081W1
256GB	FE24S-B5GS2M082E1	FE24S-B5GS2M082W1