

MEMXPRO Mini mSATA E231 Series

High capacity & wide temperature



Features

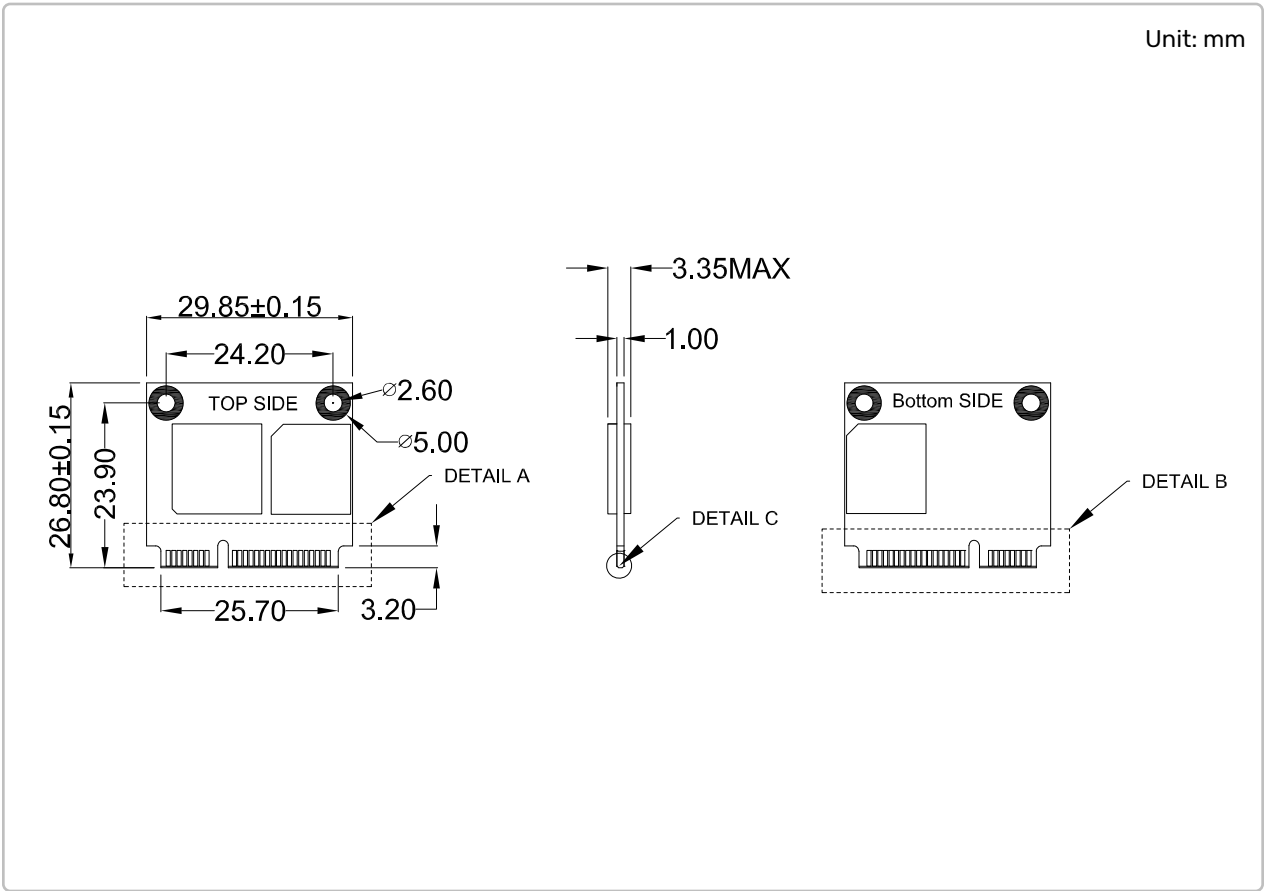
- SATA III, compliant with JEDEC MO-300B
- MLC eMMC, up to 256GB capacity
- Extended/wide temp. solutions
- Built-in ECC and OCP/OVP
- NCQ/TRIM/SMART support
- mSMART storage device monitoring

Specification

Product Model	Mini mSATA E231
Interface	SATA III
Form Factor	Mini mSATA (M0300B)
Flash Type	MLC eMMC
Max. Channel	2
Density	128GB~256GB
Sequential R/W (MB/sec, max.)	130/132
Operating Temperature	-25°C~+85°C/-40°C~+85°C
Max. Power Consumption	1.8W (3.3Vx550mA)
Dimension (L x W x H/mm)	26.8x29.85x3.5
Operating Voltage	3.3V±5%
Storage Temperature	-55°C~+95°C
External DRAM Buffer	N/A
Thermal Sensor	✓
DEVSLP Mode	N/A
ATA Security	✓
S.M.A.R.T.	✓
TRIM	✓
Vibration	20G (7~2K Hz)
Shock Resistance	1500G@0.5ms
MTBF	>3 million hours

Dimensions

Unit: mm



Ordering Information

Capacity	Extended (-25°C~85°C)	Industrial (-40°C~+85°C)
128GB	FEMMS-A2GT2M081E1	FEMMS-A2GT2M081W1
256GB	FEMMS-B5GT2M082E1	FEMMS-B5GT2M082W1