

MEMXPRO Mini mSATA EM31 Series

Budget-friendly, industrial design



Features

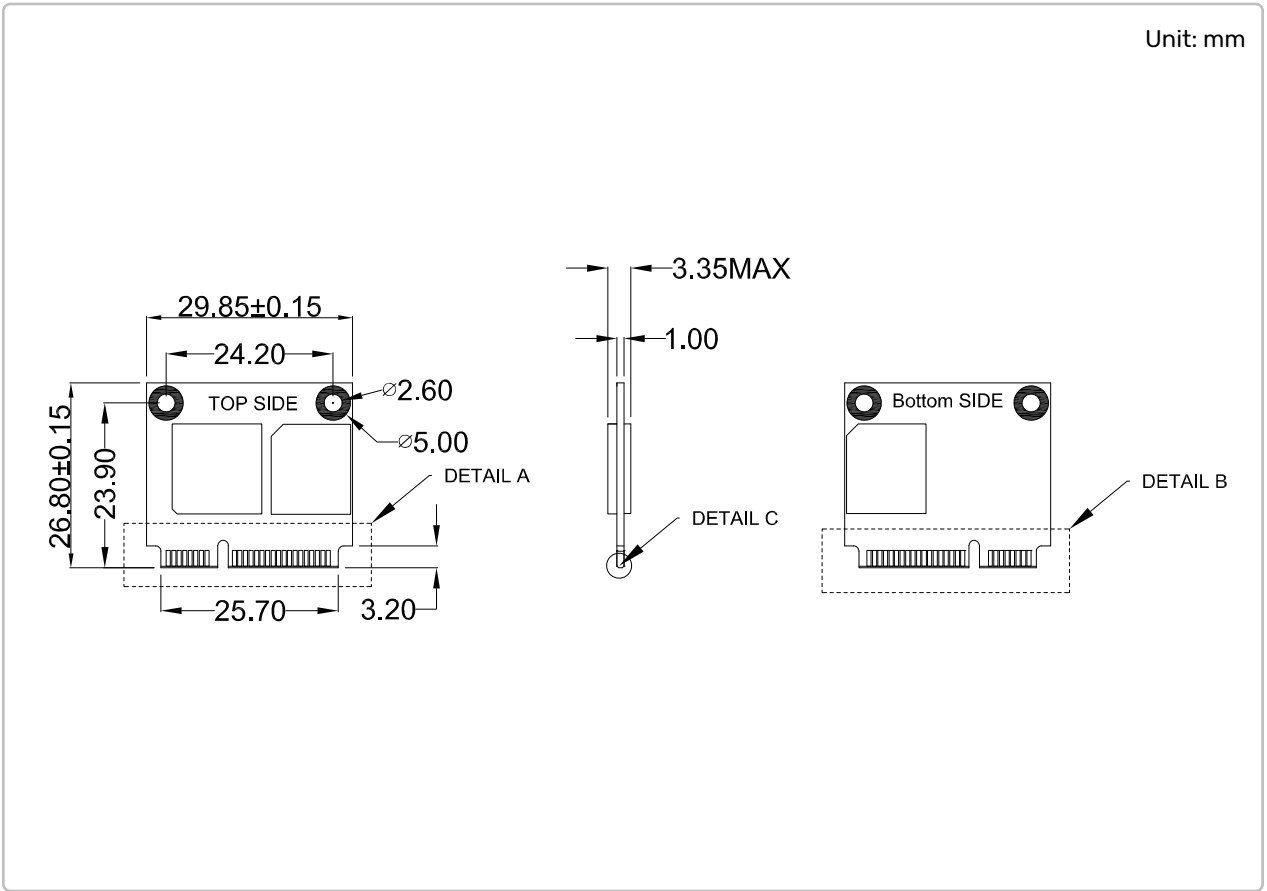
- SATA III, compliant with JEDEC MO-300B
- MLC, DRAM-less, up to 64GB capacity
- Commercial/extended/wide temp. solutions
- Built-in ECC and OCP/OVP
- NCQ/TRIM/SMART support
- mSMART storage device monitoring

Specification

Product Model	Mini mSATA EM31
Interface	SATA III
Form Factor	Mini mSATA (M0300B)
Flash Type	MLC
Max. Channel	2
Density	16GB-64GB
Sequential R/W (MB/sec, max.)	348/101
Operating Temperature	0°C~+70°C/-25°C~+85°C/-40°C~+85°C
Max. Power Consumption	1.1W (3.3Vx320mA)
Dimension (L x W x H/mm)	26.8x29.85x3.5
Operating Voltage	3.3V±5%
Storage Temperature	-55°C~+95°C
External DRAM Buffer	N/A
Thermal Sensor	✓
DEVSLP Mode	<5mW
ATA Security	✓
S.M.A.R.T.	✓
TRIM	✓
Vibration	20G (7~2KHz)
Shock Resistance	1500G@0.5ms
MTBF	>3 million hours

Dimensions

Unit: mm



Ordering Information

Capacity	Commercial (0°C~70°C)	Extended (-25°C~85°C)	Industrial (-40°C~+85°C)
16GB	FEMMS-16GMMS4X1C1	FEMMS-16GMMS4X1E1	FEMMS-16GMMS4X1W1
32GB	FEMMS-32GTMS4X2C1	FEMMS-32GTMS4X2E1	FEMMS-32GTMS4X2W1
64GB	FEMMS-64GTMS4X2C1	FEMMS-64GTMS4X2E1	FEMMS-64GTMS4X2W1