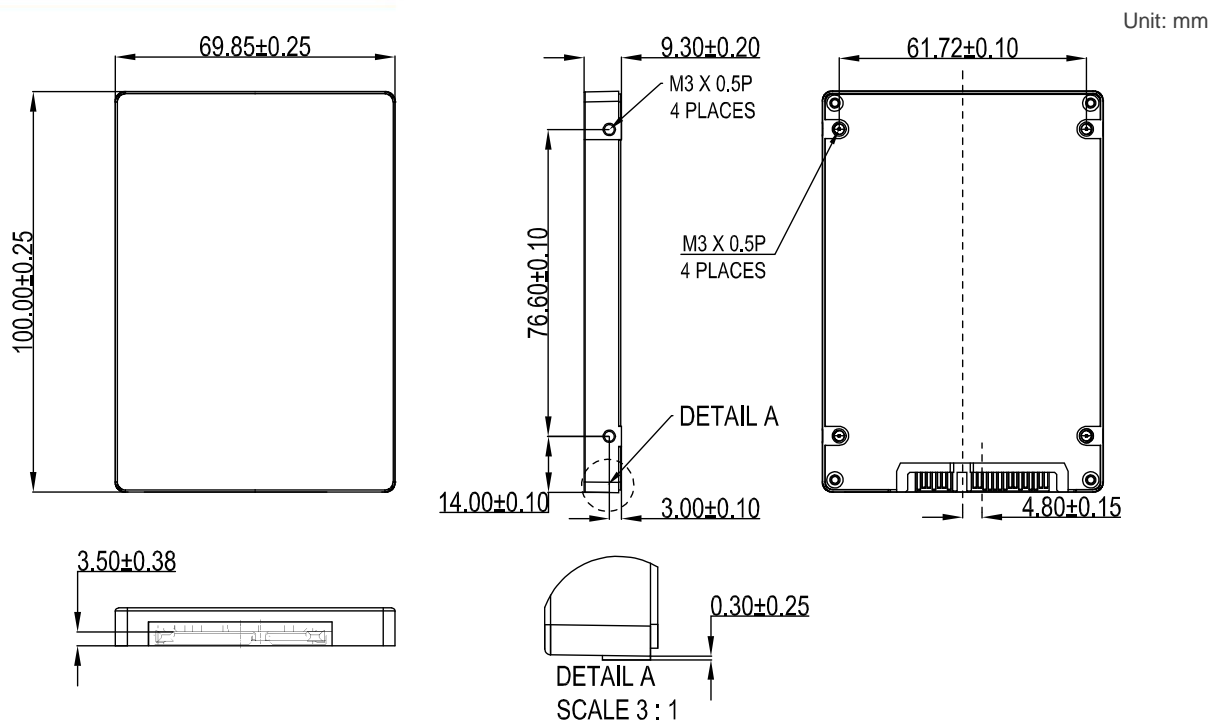


## 2.5" SSD-P Series



The MemxPro 2.5" SSD-P series feature Power Plus for creating power backups during unexpected power failure. Power Plus with firmware control and capacitor design provides enough power hold-up time for all data in the DRAM buffers to be totally written back to the NAND flash, ensuring total user data integrity.

- Compliant with SFF-8201 specification.
- SATA III interface running at up to 6Gb/s.
- SLC/StrongMLC/MLC versions in standard, extended, and industrial grade temperature ranges.
- Power Plus for power backups in power failure scenarios.
- Ruggedized shock and vibration resistant enclosure with 9mm height mechanical design.
- SMARTPro device monitoring tool or SDK library support.



Product Model	2.5" SSD M3A-P	2.5" SSD G3A-P	2.5" SSD S3A-P
Interface	SATA III	SATA III	SATA III
Form Factor	2.5" SSD (SFF-8201)	2.5" SSD (SFF-8201)	2.5" SSD (SFF-8201)
Flash Type	MLC	StrongMLC	SLC
Max. Channel	4	4	4
Density	16GB~1TB	8GB~512GB	8GB~256GB
Sequential R/W (MB/sec, max.)	545/453	552/439	550/450
Operating Temperature	0°C~+70°C/-25°C~+85°C/-40°C~+85°C	0°C~+70°C/-25°C~+85°C/-40°C~+85°C	0°C~+70°C/-25°C~+85°C/-40°C~+85°C
Max. Power Consumption	6W (5Vx1.2A)	6W (5Vx1.2A)	6W (5Vx1.2A)
Dimension (LxWxH/mm)	100x69.85x9.3	100x69.85x9.3	100x69.85x9.3
Operating Voltage	5V±5%	5V±5%	5V±5%
Storage Temperature	-55°C~+95°C	-55°C~+95°C	-55°C~+95°C
External DRAM Buffer	V	V	V
Thermal Sensor	V	V	V
DEVSLP Mode	N/A	N/A	N/A
ATA Security	V	V	V
S.M.A.R.T.	V	V	V
TRIM	V	V	V
Vibration	20G (7~2KHz)	20G (7~2KHz)	20G (7~2KHz)
Shock Resistance	1500G@0.5ms	1500G@0.5ms	1500G@0.5ms
MTBF	>3 million hours	>3 million hours	>3 million hours

Note: SLC products are supported upon request with MOQ requirement.

## MemxPro Inc.

Tel : 886- 2-8978-8997 Fax : 886-2-3393-0516 E-mail: info@memxpro.com

Address: 4F., No.32, Xiwei St., Sanchong Dist., New Taipei City, 24155, TAIWAN(R.O.C.)