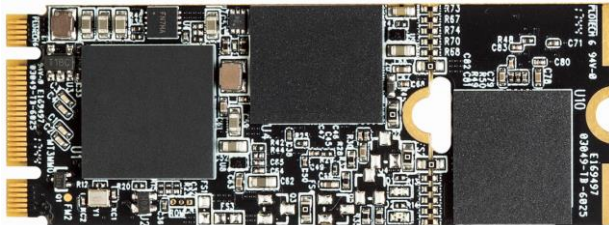


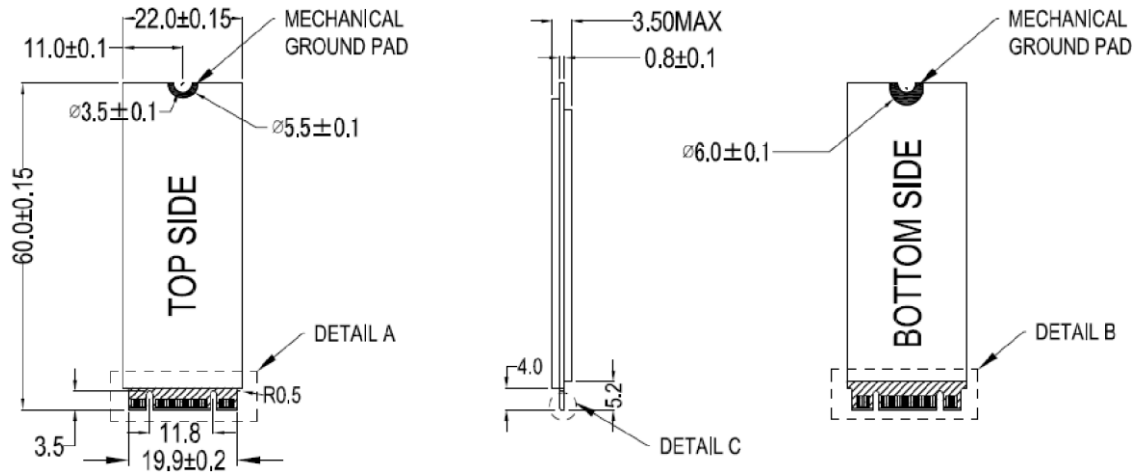
M.2 SATA (2260) M3M



M.2 SATA M3M (2260) is a SATA III 6Gb/s MLC eMMC flash module. The M.2 SATA M3M (2260) supports space-constrained mini-desktops, all-in-ones, and ultrabook and applications for industrial systems and mobile devices.

- Compliant with M.2 (NGFF) standard of 22mm wide by 60mm long (2260).
- Dual-sided design.
- SATA III interface running at up to 6Gb/s.
- Original extended-temp MLC eMMC flash in extended and industrial grade temperature ranges.
- Smaller IC package size for higher storage capacity up to 512GB.
- SMARTPro device monitoring tool or SDK library support.

Unit: mm



Product Model	M.2SATA M3M (2260)
Interface	SATA III
Form Factor	M.2 SATA (2260/D2)
Flash Type	MLC eMMC
Max. Channel	4
Density	16GB~512GB
Sequential R/W (MB/sec, max.)	270/246
Operating Temperature	-25°C~+85°C/-40°C~+85°C
Max. Power Consumption	2.64W (3.3V x 800mA)
Dimensions (LxWxH/mm)	22x60x3.5
Operating Voltage	3.3V±5%
Storage Temperature	-55°C~+95°C
External DRAM Buffer	N/A
Thermal Sensor	✓
DEVSLP Mode	N/A
ATA Security	✓
S.M.A.R.T.	✓
TRIM	✓
Vibration	20G (7~2K Hz)
Shock Resistance	1500G@0.5ms
MTBF	>3 million hours

MemxPro Inc.

Tel : 886- 2-8978-8997 Fax : 886-2-3393-0516 E-mail: info@memxpro.com

Address: 4F., No.32, Xiwei St., Sanchong Dist., New Taipei City, 24155, TAIWAN(R.O.C.)