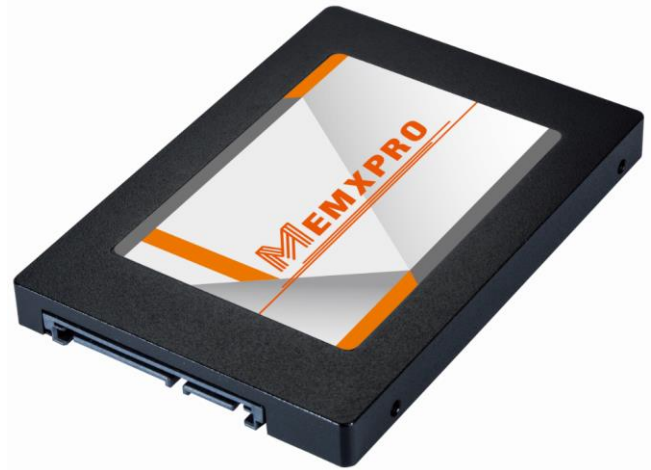
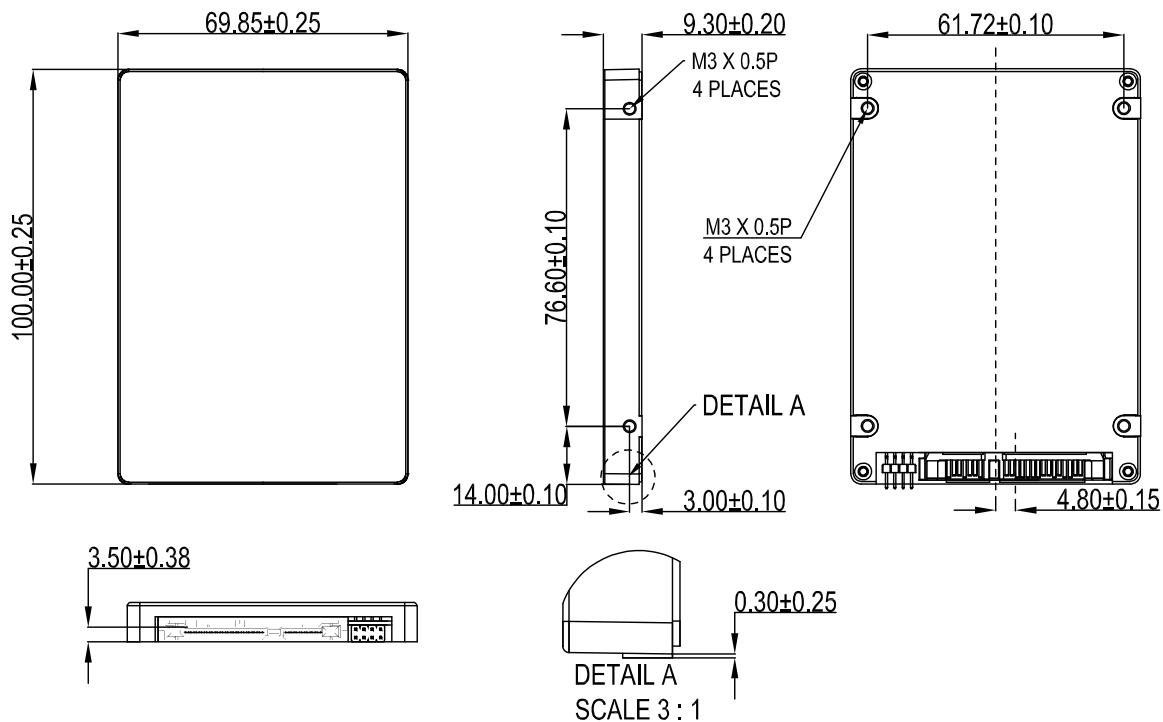


2.5" SSD-A Series



The MemxPro 2.5" SSD-A series are solid state drives with write protect function. Write Protect can be set up for read-only permission to avoid overwriting data or erasure. Compliant with the standard SFF-8201 specification, 2.5" SSD-A series support larger capacities, faster read/write speeds, and robust aluminum pressure die casting enclosure, offering supreme performance and extreme reliability to operate in harsh environments with wide temperature ranges and high levels of shock and vibration.

- Compliant with SFF-8201 specification.
- SATA III interface running at up to 6Gb/s.
- SLC/StrongMLC/MLC versions in standard, extended, and industrial grade temperature ranges.
- Hardware write protect function.
- Ruggedized shock and vibration resistant enclosure with 9mm height mechanical design.
- SMARTPro device monitoring tool or SDK library support.



Product Model	2.5" SSD M3A-A	2.5" SSD G3A-A	2.5" SSD S3A-A
Interface	SATA III	SATA III	SATA III
Form Factor	2.5" SSD (SFF-8201)	2.5" SSD (SFF-8201)	2.5" SSD (SFF-8201)
Flash Type	MLC	StrongMLC	SLC
Max. Channel	4	4	4
Density	16GB~1TB	8GB~512GB	8GB~256GB
Sequential R/W (MB/sec, max.)	545/453	552/439	550/450
Operating Temperature	0°C~+70°C/-25°C~+85°C/-40°C~+85°C	0°C~+70°C/-25°C~+85°C/-40°C~+85°C	0°C~+70°C/-25°C~+85°C/-40°C~+85°C
Max. Power Consumption	6W (5Vx1.2A)	6W (5Vx1.2A)	6W (5Vx1.2A)
Dimension (LxWxH/mm)	100x69.85x9.3	100x69.85x9.3	100x69.85x9.3
Operating Voltage	5V±5%	5V±5%	5V±5%
Storage Temperature	-55°C~+95°C	-55°C~+95°C	-55°C~+95°C
External DRAM Buffer	V	V	V
Thermal Sensor	V	V	V
DEVSLP Mode	N/A	N/A	N/A
ATA Security	V	V	V
S.M.A.R.T.	V	V	V
TRIM	V	V	V
Vibration	20G (7~2KHz)	20G (7~2KHz)	20G (7~2KHz)
Shock Resistance	1500G@0.5ms	1500G@0.5ms	1500G@0.5ms
MTBF	>3 million hours	>3 million hours	>3 million hours

Note: SLC products are supported upon request with MOQ requirement.

MemxPro Inc.

Tel : 886-2-8978-8997 Fax : 886-2-3393-0516 E-mail: info@memxpro.com

Address: 4F., No.32, Xiwei St., Sanchong Dist., New Taipei City, 24155, TAIWAN(R.O.C.)