

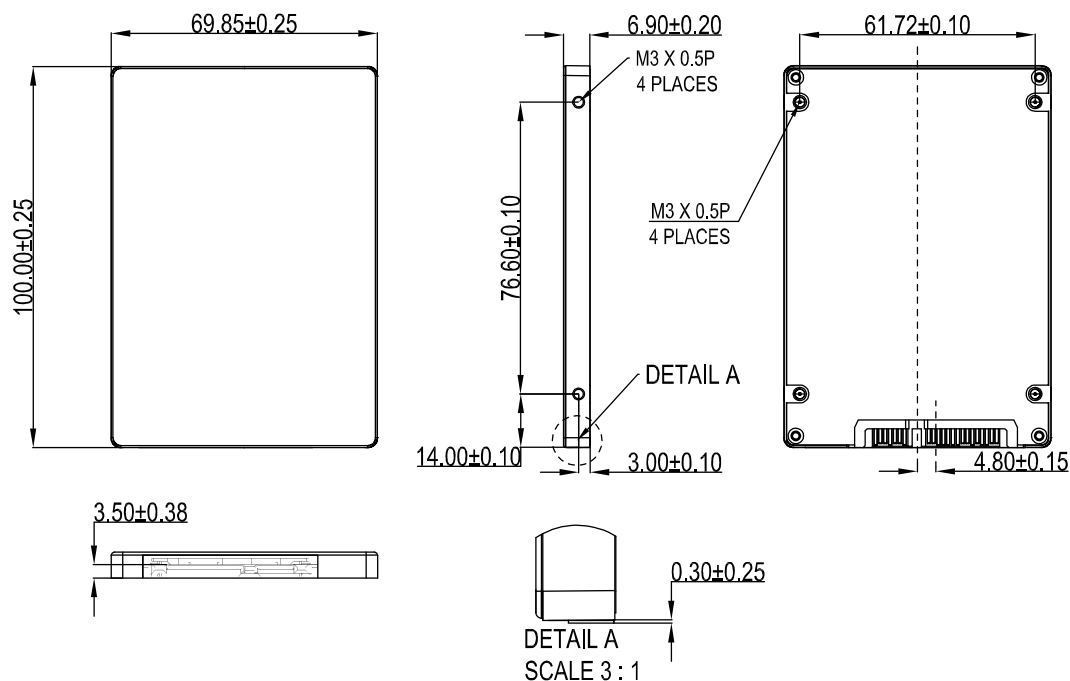
2.5" SSD M3M



2.5" SSD M3M series is a SATA III 6Gb/s eMMC SSD, combining eMMC MLC flash and complying to SFF-8201 specification. Mature eMMC technology, MLC endurance, original extended temperature IC and proven reliability contribute to a variety of industrial applications.

- Compliant with SFF-8201 specification.
- SATA III interface running at up to 6Gb/s.
- Original extended-temp eMMC MLC flash in extended and industrial grade temperature ranges.
- Global wear leveling, bad block management with built-in ECC and optional security features.
- Ruggedized shock and vibration resistant enclosure with 7mm height mechanical design.
- SMARTPro device monitoring tool or SDK library support.

Unit: mm



Product Model	2.5" SSD M3M
Interface	SATA III
Form Factor	2.5" SSD GT (SFF-8201)
Flash Type	MLC eMMC
Max. Channel	8
Density	2TB~4TB
Sequential R/W (MB/sec, max.)	516/425
Operating Temperature	-25°C~+85°C/-40°C~+85°C
Max. Power Consumption	6.6W (5Vx1320mA)
Dimension (LxWxH/mm)	100x69.85x7
Operating Voltage	5V±5%
Storage Temperature	-55°C~+95°C
External DRAM Buffer	N/A
Thermal Sensor	✓
DEVSLP Mode	N/A
ATA Security	✓
S.M.A.R.T.	✓
TRIM	✓
Vibration	20G (7~2K Hz)
Shock Resistance	1500G@0.5ms
MTBF	>3 million hours

MemxPro Inc.

Tel : 886-2-8978-8997 Fax : 886-2-3393-0516 E-mail: info@memxpro.com

Address: 4F., No.32, Xiwei St., Sanchong Dist., New Taipei City, 24155, TAIWAN(R.O.C.)