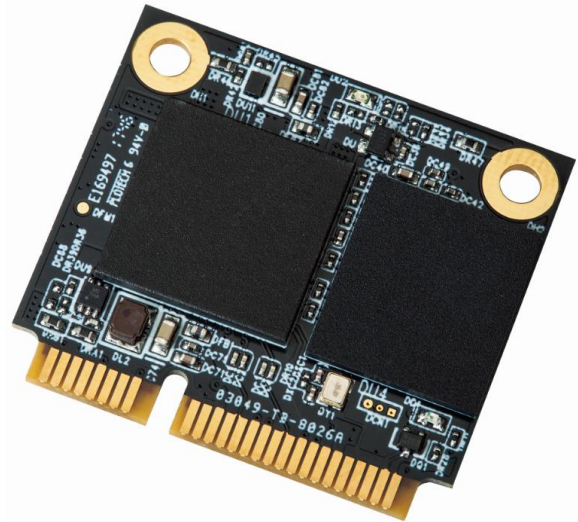
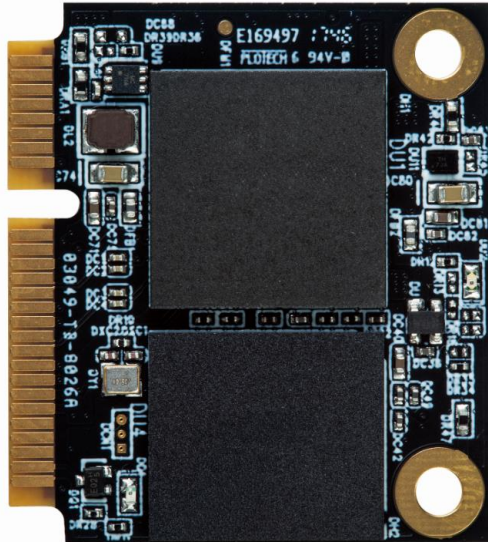
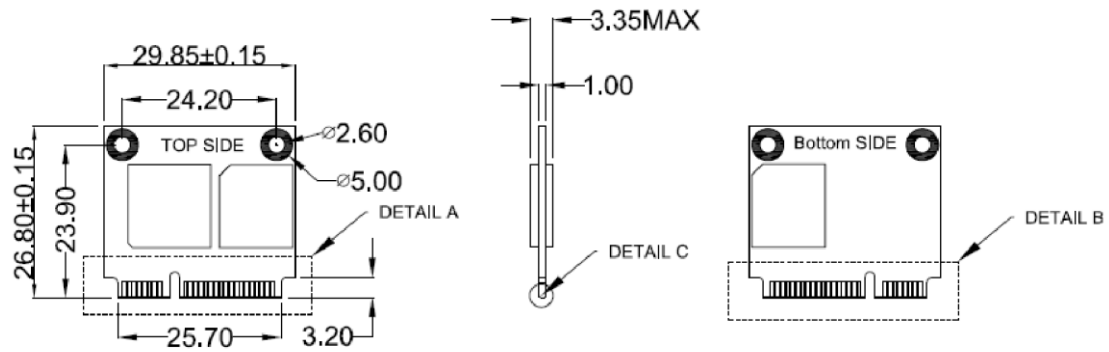


Mini mSATA M3M



Mini mSATA M3M is an ultra-compact half-size mSATA SATA III 6Gb/s MLC eMMC flash module. It is designed as a space-constraint and low power SSD to spinning hard disk drives in embedded applications.

- Compliant with JEDEC MO-300B specification.
- SATA III interface running at up to 6Gb/s.
- Original extended-temp MLC eMMC flash in extended and industrial grade temperature ranges.
- Smaller IC package size for higher storage capacity up to 256GB.
- SMARTPro device monitoring tool or SDK library support.



Product Model	Mini mSATA S3B
Interface	SATA III
Form Factor	Mini mSATA (MO300B)
Flash Type	MLC eMMC
Max. Channel	2
Density	16GB~256GB
Sequential R/W (MB/sec, max.)	133/133
Operating Temperature	-25°C~+85°C/-40°C~+85°C
Max. Power Consumption	1.8W (3.3Vx550mA)
Dimensions (LxWxH/mm)	26.8x29.85x3.5
Operating Voltage	3.3V±5%
Storage Temperature	-55°C~+95°C
External DRAM Buffer	N/A
Thermal Sensor	✓
DEVSLP Mode	N/A
ATA Security	✓
S.M.A.R.T.	✓
TRIM	✓
Vibration	20G (7~2K Hz)
Shock Resistance	1500G@0.5ms
MTBF	>3 million hours

MemxPro Inc.

Tel : 886- 2-8978-8997 Fax : 886-2-3393-0516 E-mail: info@memxpro.com

Address: 4F., No.32, Xiwei St., Sanchong Dist., New Taipei City, 24155, TAIWAN(R.O.C.)