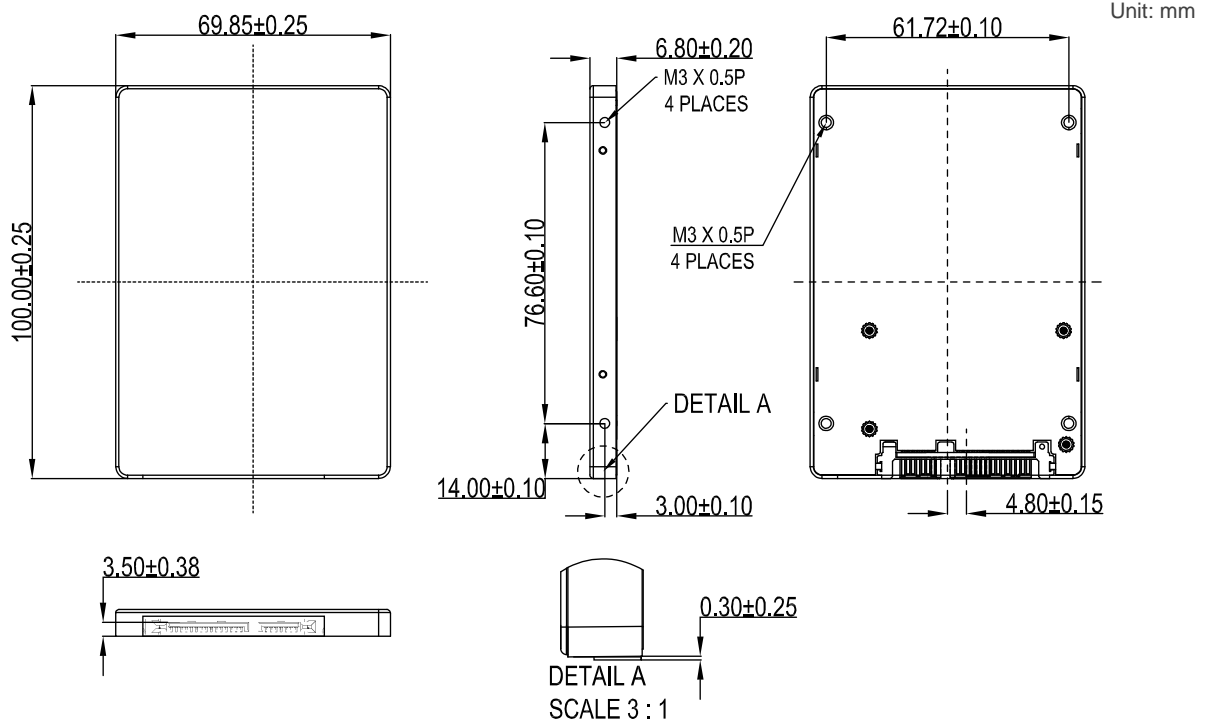


## 2.5" SSD Lite Series



The MemxPro's 2.5" SSD Lite series is a low-cost solution compliant with the SFF-8201 specification. For the consideration of adequate storage capacity and non-ruggedized aluminum extrusion case, MemxPro 2.5" SSD Lite series offers one of the lowest SSD price tags on the market, striking the right balance between cost-effectiveness and reliable performance for various market applications.

- Compliant with SFF-8201 specification.
- SATA III interface running at up to 6Gb/s.
- SLC/StrongMLC/MLC versions in standard, extended, and industrial grade temperature ranges.
- Cost-effective alternative 2.5" SSD solution.
- Aluminum extrusion case with 7mm height mechanical design.
- SMARTPro device monitoring tool or SDK library support.



Product Model	2.5" SSD Lite M3B	2.5" SSD Lite G3B	2.5" SSD Lite S3B
Interface	SATA III	SATA III	SATA III
Form Factor	2.5" SSD Lite (SFF-8201)	2.5" SSD Lite (SFF-8201)	2.5" SSD Lite (SFF-8201)
Flash Type	MLC	StrongMLC	SLC
Max. Channel	4	4	4
Density	16GB~512GB	8GB~256GB	8GB~128GB
Sequential R/W (MB/sec, max.)	505/331	514/421	520/430
Operating Temperature	0°C~+70°C/-25°C~+85°C/-40°C~+85°C	0°C~+70°C/-25°C~+85°C/-40°C~+85°C	0°C~+70°C/-25°C~+85°C/-40°C~+85°C
Max. Power Consumption	2.75W (5Vx550mA)	2.75W (5Vx550mA)	2.75W (5Vx550mA)
Dimension (LxWxH/mm)	100x69.85x6.8	100x69.85x6.8	100x69.85x6.8
Operating Voltage	5V±5%	5V±5%	5V±5%
Storage Temperature	-55°C~+95°C	-55°C~+95°C	-55°C~+95°C
External DRAM Buffer	N/A	N/A	N/A
Thermal Sensor	V	V	V
DEVSLP Mode	<5mW	<5mW	<5mW
ATA Security	V	V	V
S.M.A.R.T.	V	V	V
TRIM	V	V	V
Vibration	20G (7~2KHz)	20G (7~2KHz)	20G (7~2KHz)
Shock Resistance	1500G@0.5ms	1500G@0.5ms	1500G@0.5ms
MTBF	>3 million hours	>3 million hours	>3 million hours

Note: SLC products are supported upon request with MOQ requirement.

## MemxPro Inc.

Tel : 886-2-8978-8997 Fax : 886-2-3393-0516 E-mail: info@memxpro.com

Address: 4F., No.32, Xiwei St., Sanchong Dist., New Taipei City, 24155, TAIWAN(R.O.C.)