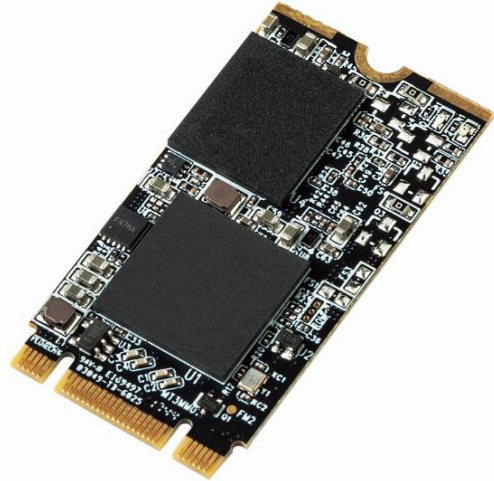
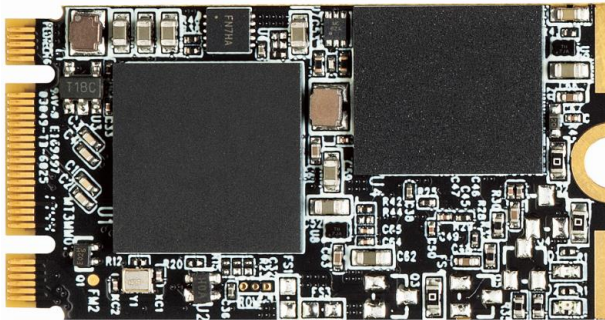


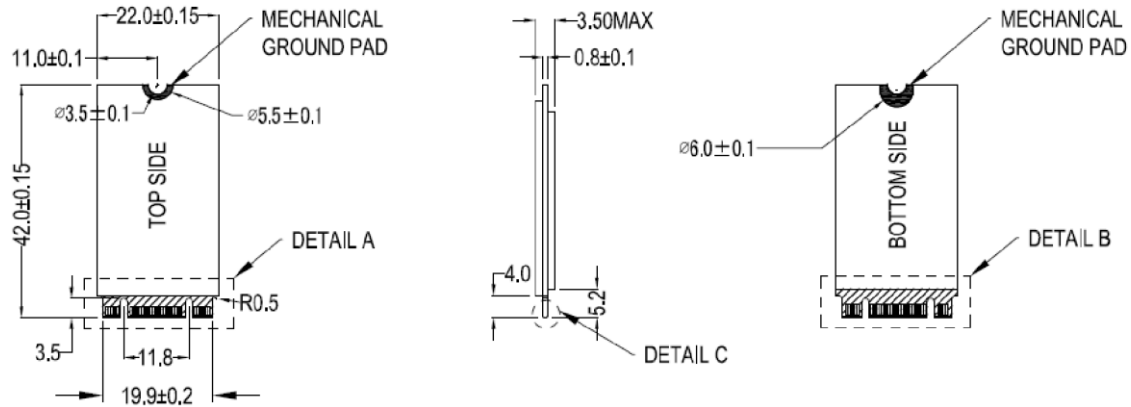
## M.2 SATA (2242) M3M



M.2 SATA M3B (2242) is a SATA III 6Gb/s MLC eMMC flash module. Delivering exceptional read/write speed in a small footprint, the M.2 SATA M3B (2242) is the ideal storage companion or embedded computing boards, portable devices or automotive applications.

- Compliant with M.2 (NGFF) standard of 22mm wide by 42mm long (2242).
- Ultra-thin design for single-sided versions and double capacity for dual-sided versions.
- SATA III interface running at up to 6Gb/s.
- Original extended-temp MLC eMMC flash in extended and industrial grade temperature ranges.
- Smaller IC package size for higher storage capacity up to 256GB.
- SMARTPro device monitoring tool or SDK library support.

Unit: mm



Product Model	M.2SATA M3M (2242)
Interface	SATA III
Form Factor	M.2 SATA (2242/D2)
Flash Type	MLC eMMC
Max. Channel	2
Density	16GB~256GB
Sequential R/W (MB/sec, max.)	133/133
Operating Temperature	-25°C~+85°C/-40°C~+85°C
Max. Power Consumption	1.98W (3.3Vx600mA)
Dimensions (LxWxH/mm)	22x42x3.5
Operating Voltage	3.3V±5%
Storage Temperature	-55°C~+95°C
External DRAM Buffer	N/A
Thermal Sensor	✓
DEVSLP Mode	N/A
ATA Security	✓
S.M.A.R.T.	✓
TRIM	✓
Vibration	20G (7~2K Hz)
Shock Resistance	1500G@0.5ms
MTBF	>3 million hours

## MemxPro Inc.

Tel : 886- 2-8978-8997 Fax : 886-2-3393-0516 E-mail: info@memxpro.com

Address: 4F., No.32, Xiwei St., Sanchong Dist., New Taipei City, 24155, TAIWAN(R.O.C.)

© MemxPro Inc. MemxPro reserves the right to change products, information and specifications without notice and is provided on an "AS IS" basis, without warranties of any kind. Products and specifications discussed herein are for reference purposes only. No license of any patent, copyright, mask work, trademark or any other intellectual property right is granted by one party to the other party under this document, by implication, estoppel or otherwise. For updates or additional information about MemxPro products, please contact MemxPro office.

V.01 20180321

www.memxpro.com