

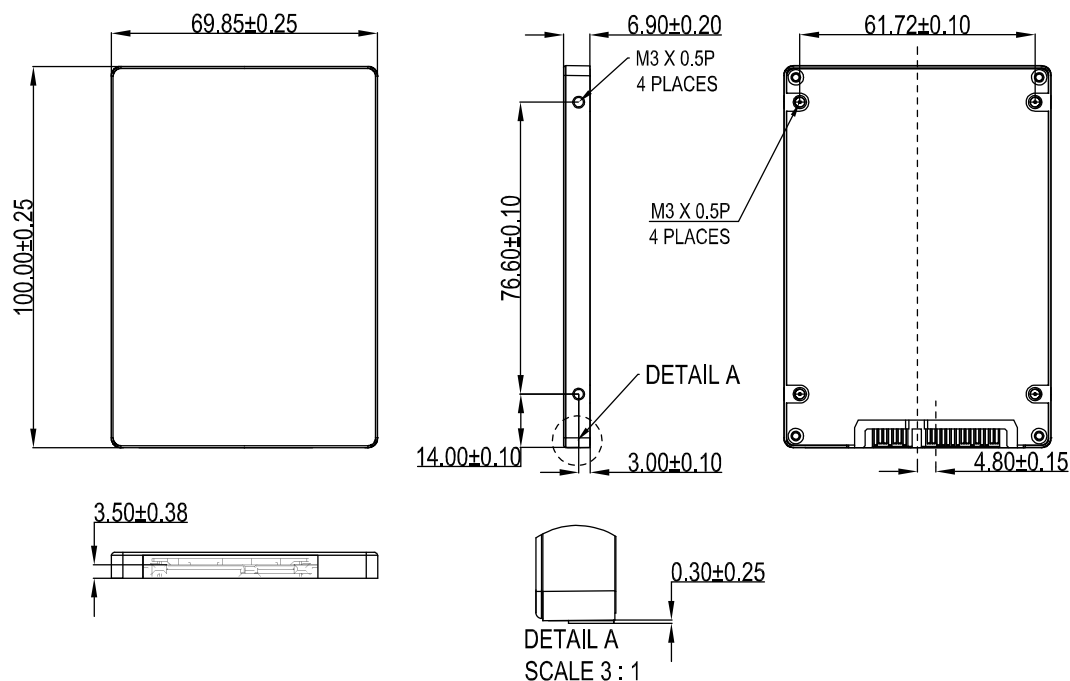
2.5" SSD GT Series



2.5" SSD GT M3M is a SATA III 6Gb/s eMMC MLC multi-terabyte SSD with MemxPro MP808 controller. 2.5" SSD GT M3M is a single board slim design for better transmission and signal stability. The products are targeted at server and transportation market applications required high capacity.

- MemxPro MP808 controller for in-house firmware control.
- SATA III interface running at up to 6Gb/s.
- eMMC MLC flash in extended and industrial grade temperatures.
- Multi-terabyte storage capacities up to 5TB.
- Aluminum case with 7mm height mechanical design.
- SMARTPro device monitoring tool or SDK library support.

Unit: mm



Product Model	2.5" SSD GT M3M
Interface	SATA III
Form Factor	2.5" SSD GT (SFF-8201)
Flash Type	MLC eMMC
Max. Channel	8
Density	2TB~5TB
Sequential R/W (MB/sec, max.)	535/454
Operating Temperature	-25°C~+85°C/-40°C~+85°C
Max. Power Consumption	7.4W (5V x 1480mA)
Dimension (LxWxH/mm)	100x69.85x7
Operating Voltage	5V±5%
Storage Temperature	-55°C~+95°C
External DRAM Buffer	N/A
Thermal Sensor	✓
DEVSLP Mode	<5mW
ATA Security	✓
S.M.A.R.T.	✓
TRIM	✓
Vibration	20G (7~2KHz)
Shock Resistance	1500G@0.5ms
MTBF	>3 million hours

MemxPro Inc.

Tel : 886-2-8978-8997 Fax : 886-2-3393-0516 E-mail: info@memxpro.com

Address: 4F., No.32, Xiwei St., Sanchong Dist., New Taipei City, 24155, TAIWAN(R.O.C.)