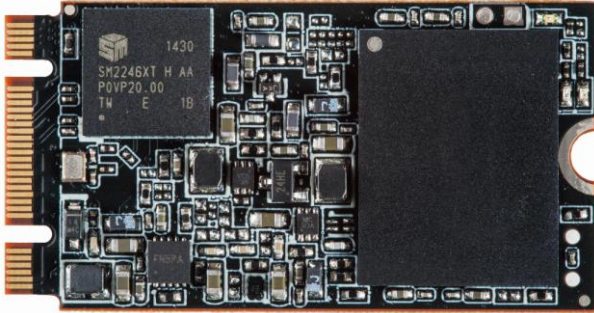


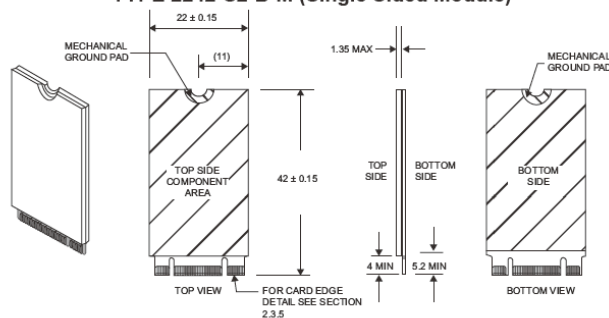
M.2 SATA (2242) Series



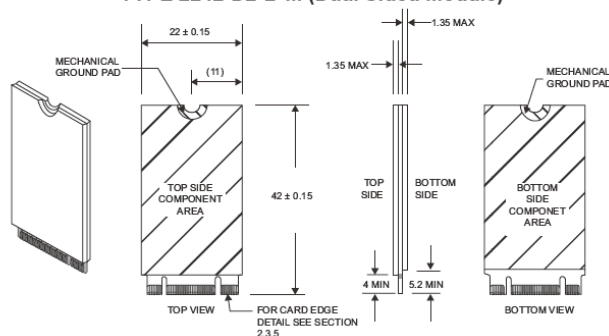
The MemxPro M.2 SATA (2242) series complies with M.2 (NGFF) standard for width-length of 22mm wide and 42mm long. The M.2 specifications provide different thicknesses – single-sided versions and dual-sided versions. MemxPro M.2 SATA (2242) series is able to deliver exceptional read/write speeds and the small form factor makes it an attractive choice for embedded computing boards, portable devices or automotive applications.

- Compliant with M.2 (NGFF) standard of 22mm wide by 42mm long (2242).
- Ultra-thin design for single- sided and double capacity for dual-sided versions.
- SATA III interface running at up to 6Gb/s.
- SLC/StrongMLC/MLC versions in standard, extended, and industrial grade temperature ranges.
- Global wear leveling, bad block management with built-in ECC, and optional security features.
- SMARTPro device monitoring tool or SDK library support.

TYPE 2242-S2-B-M (Single Sided Module)



TYPE 2242-D2-B-M (Dual Sided Module)



Product Model	M.2SATA M3B (2242)	M.2SATA G3B (2242)	M.2SATA S3B (2242)
Interface	SATA III	SATA III	SATA III
Form Factor	M.2 SATA (2242/S2/D2)	M.2 SATA (2242/S2/D2)	M.2 SATA (2242/S2/D2)
Flash Type	MLC	StrongMLC	SLC
Max. Channel	4	4	4
Density	16GB~256GB	8GB~128GB	8GB~32GB
Sequential R/W (MB/sec, max.)	520/197	515/304	515/304
Operating Temperature	$0^{\circ}\text{C} \sim +70^{\circ}\text{C} / -25^{\circ}\text{C} \sim +85^{\circ}\text{C} / -40^{\circ}\text{C} \sim +85^{\circ}\text{C}$		
Max. Power Consumption	1.16W (3.3Vx350mA)		
Dimensions (LxWxH/mm)	22x42x2.15 / 22x42x3.5		
Operating Voltage	3.3V \pm 5%		
Storage Temperature	$-55^{\circ}\text{C} \sim +95^{\circ}\text{C}$		
External DRAM Buffer	N/A		
Thermal Sensor	✓	✓	✓
DEVSLP Mode	<5mW		
ATA Security	✓	✓	✓
S.M.A.R.T.	✓	✓	✓
TRIM	✓	✓	✓
Vibration	20G (7~2K Hz)		
Shock Resistance	1500G@0.5ms		
MTBF	>3 million hours		

Note: SLC products are supported upon request with MOQ requirement.

MemxPro Inc.

Tel : 886- 2-8978-8997 Fax : 886-2-3393-0516 E-mail: info@memxpro.com

Address: 4F., No.32, Xiwei St., Sanchong Dist., New Taipei City, 24155, TAIWAN(R.O.C.)