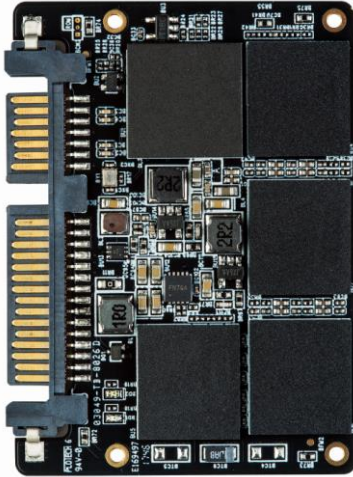
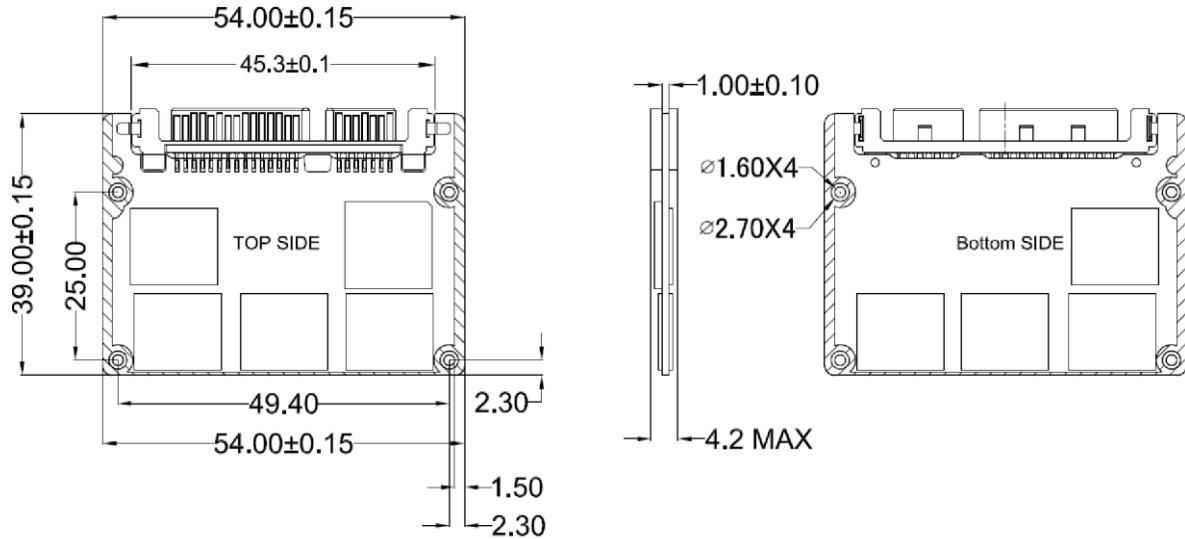


Slim SATA M3M



Slim SATA M3M is a SATA III 6Gb/s MLC eMMC flash module. With a standard 22-pin (7+15) SATA interface, it allows system designers to leverage standard SATA cabling or host connections for embedded applications with faster booting and smaller footprint.

- Compliant with JEDEC MO-297 specification.
- SATA III interface running at up to 6Gb/s.
- Original extended-temp MLC eMMC flash in extended and industrial grade temperature ranges.
- Smaller IC package size for higher storage capacity up to 1TB.
- SMARTPro device monitoring tool or SDK library support.



Product Model	Slim SATA M3M
Interface	SATA III
Form Factor	Slim SATA (MO297)
Flash Type	MLC eMMC
Max. Channel	8
Density	16GB~1TB
Sequential R/W (MB/sec, max.)	532/407
Operating Temperature	-25°C~+85°C/-40°C~+85°C
Max. Power Consumption	5.5W (5Vx1100mA)
Dimensions (LxWxH/mm)	39.8x54x4
Operating Voltage	5V±5%
Storage Temperature	-55°C~+95°C
External DRAM Buffer	N/A
Thermal Sensor	✓
DEVSLP Mode	N/A
ATA Security	✓
S.M.A.R.T.	✓
TRIM	✓
Vibration	20G (7~2K Hz)
Shock Resistance	1500G@0.5ms
MTBF	>3 million hours

MemxPro Inc.

Tel : 886- 2-8978-8997 Fax : 886-2-3393-0516 E-mail: info@memxpro.com

Address: 4F., No.32, Xiwei St., Sanchong Dist., New Taipei City, 24155, TAIWAN(R.O.C.)