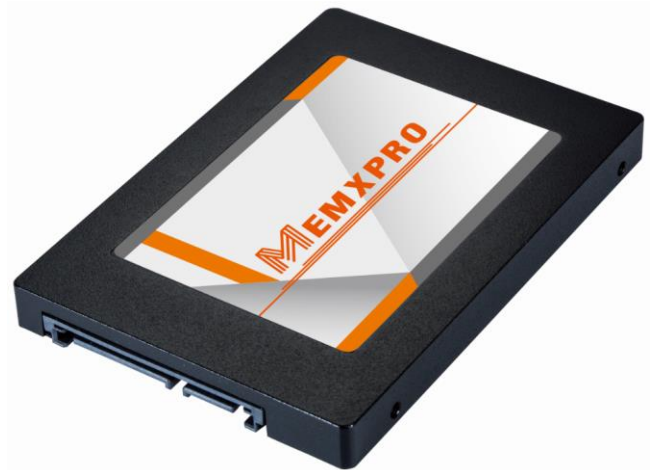


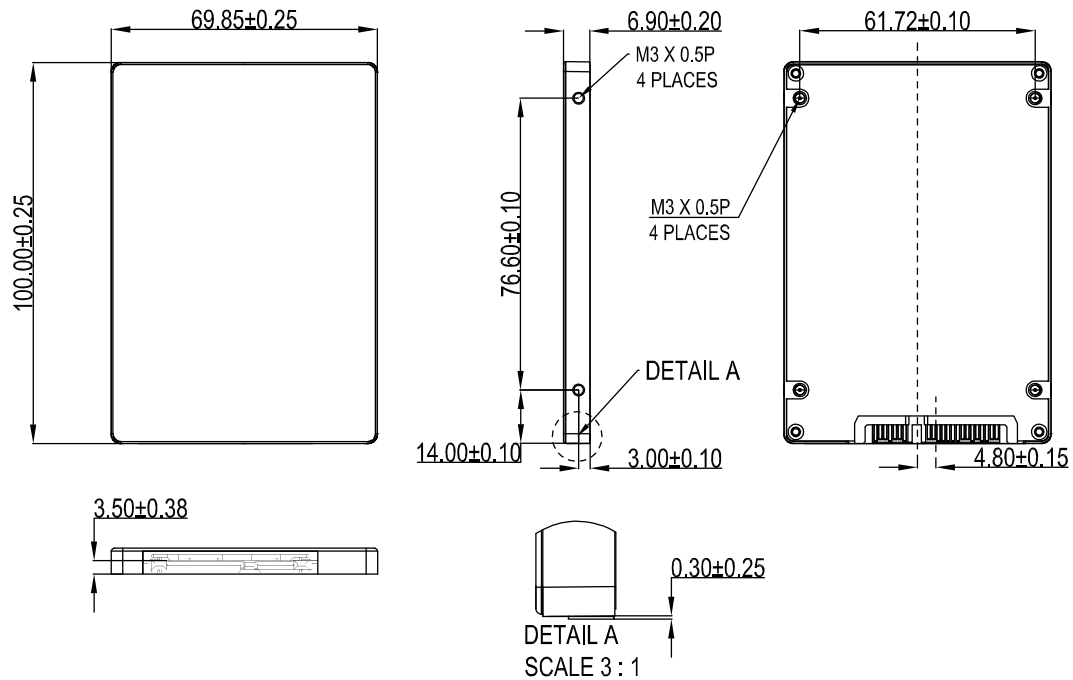
## 2.5" SSD Series



The MemxPro 2.5" SSD series are solid state drives compliant with the standard SFF-8201 specification. Supporting larger capacities, faster read/write speeds, along with robust aluminum pressure die casting enclosure, MemxPro 2.5" SSD series offers supreme performance and extreme reliability to operate in harsh environments with wide temperature ranges and high levels of shock and vibration.

- Compliant with SFF-8201 specification.
- SATA III interface running at up to 6Gb/s.
- SLC/StrongMLC/MLC versions in standard, extended and industrial grade temperature ranges.
- Global wear leveling, bad block management with built-in ECC and optional security features.
- Ruggedized shock and vibration resistant enclosure with 7mm height mechanical design.
- SMARTPro device monitoring tool or SDK library support.

Unit: mm



Product Model	2.5" SSD M3A	2.5" SSD G3A	2.5" SSD S3A
Interface	SATA III	SATA III	SATA III
Form Factor	2.5" SSD (SFF-8201)	2.5" SSD (SFF-8201)	2.5" SSD (SFF-8201)
Flash Type	MLC	StrongMLC	SLC
Max. Channel	4	4	4
Density	16GB~1TB	8GB~512GB	8GB~256GB
Sequential R/W (MB/sec, max.)	545/453	552/439	550/450
Operating Temperature	0°C~+70°C/-25°C~+85°C/-40°C~+85°C	0°C~+70°C/-25°C~+85°C/-40°C~+85°C	0°C~+70°C/-25°C~+85°C/-40°C~+85°C
Max. Power Consumption	6W (5Vx1.2A)	6W (5Vx1.2A)	6W (5Vx1.2A)
Dimension (LxWxH/mm)	100x69.85x6.9	100x69.85x6.9	100x69.85x6.9
Operating Voltage	5V±5%	5V±5%	5V±5%
Storage Temperature	-55°C~+95°C	-55°C~+95°C	-55°C~+95°C
External DRAM Buffer	✓	✓	✓
Thermal Sensor	✓	✓	✓
DEVSLP Mode	<5mW	<5mW	<5mW
ATA Security	✓	✓	✓
S.M.A.R.T.	✓	✓	✓
TRIM	✓	✓	✓
Vibration	20G (7~2KHz)	20G (7~2KHz)	20G (7~2KHz)
Shock Resistance	1500G@0.5ms	1500G@0.5ms	1500G@0.5ms
MTBF	>3 million hours	>3 million hours	>3 million hours

Note: SLC products are supported upon request with MOQ requirement.

## MemxPro Inc.

Tel : 886-2-8978-8997 Fax : 886-2-3393-0516 E-mail: info@memxpro.com

Address: 4F., No.32, Xiwei St., Sanchong Dist., New Taipei City, 24155, TAIWAN(R.O.C.)